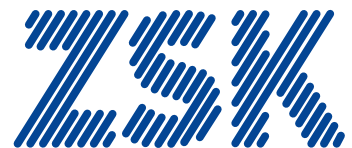




MADE FOR EXTRA ORDINARY EMBROIDERY DESIGNS

HIGH-PERFORMANCE
SPECIAL EMBROIDERY MACHINES
SERIES W, Z, K, H, V



THE ART OF EMBROIDERY



GREATER CREATIVE FREEDOM





- Typical taping embroidery
- Zigzag embroidery for fixing a fancy cord
- Chain embroidery on a cap
- Combined regular, chenille and chain embroidery

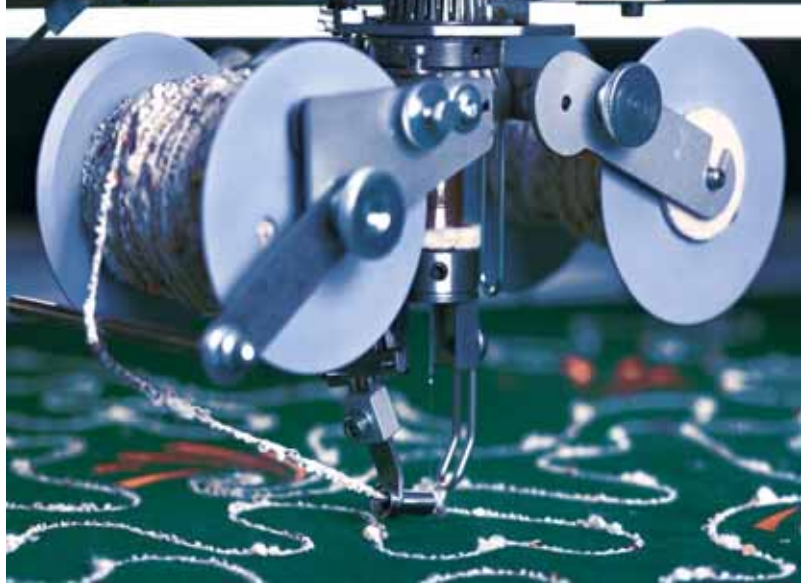
With the special-effect embroidery machines made by ZSK you have all you need to realize fantastic embroidery applications.

They are typically based on two different special embroidery heads that – individually or in combination – will lead to completely novel effects. Additionally, all machines of the special product line can be provided with a sequin unit increasing the combination options even further.

The special-effect embroidery machines only know one limit – your own creativity.

“The special-effect embroidery machines are only limited by your own creativity.”

Dr.-Ing. Karl-Hubert Zons, Managing Director ZSK



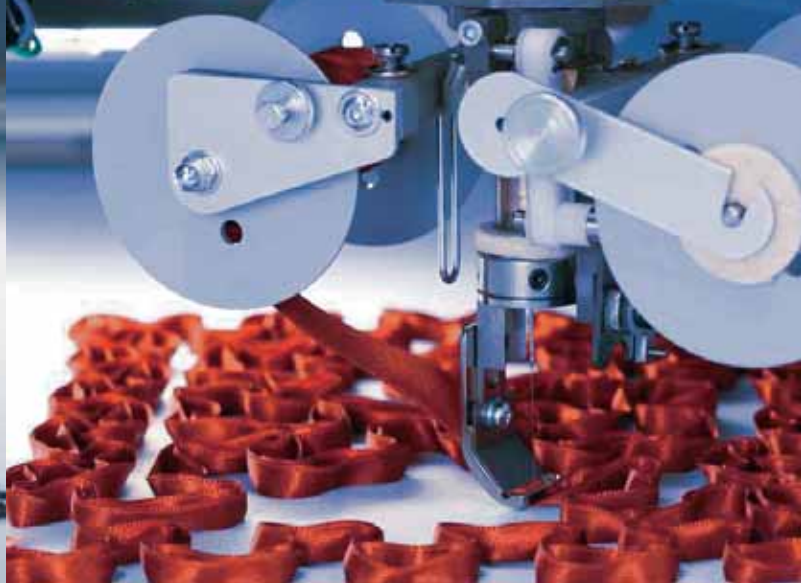
ENHANCE YOUR CREATIVE POTENTIALS

ZSK embroidery machines with integrated “W”-head process fancy yarns, ribbons, cords and chains to obtain the most amazing results.

These materials, which were processed only by hand in the past, are now embroidered automatically, in constant quality and with great efficiency to ensure higher application reliability.

The feed of the fancy yarn is effected from a freely revolving bobbin close to the needle. The material passes continuously (coiling) or in embroidery direction around the embroidering point depending on the mode of operation. The upper thread primarily serves to fix the fancy yarn. According to the condition of the yarn and the desired optical effect, you can choose between the operation modes tape, coiling and zigzag.

The combination of “W”-head and standard embroidery head for multi-color embroidery further increases the embroidery applications notably.



Extremely high stitching speed is another feature of the special-effect machines. 850 stitches/min in tape and zigzag embroidery and 800 stitches/min. in coiling embroidery.

All machines distinguish by

- ▶ ease of use and convenient handling
- ▶ high embroidering precision due to minimum slackness
- ▶ smooth and low-vibration operation
- ▶ maintenance-free bearings
- ▶ high operation reliability

„With the special-effect machines it is possible to realize the most extraordinary ideas.“

Karl-Friedrich Brockhaus,
Sales Manager ZSK



- Three different operation modes for fixing the fancy yarn can be effected with the “W” -head: zigzag, coiling and taping embroidery.
- The “W”-head combined with a sequin unit for sequins with diameters ranging from 3 to 9 mm for even greater creativity.
- For embroidering reel to reel goods up to a width of 550 mm, a feed unit with automatic transport as well as unwinding and winding unit are optionally available.



A SUITABLE TOOL FOR YOUR CREATIVITY

“Only the sophisticated technology of our machines provides the scope for creativity.”

Dr. Wolters, Development Special Embroidery machines ZSK



Machines with integrated “K”-head are designed for demanding chenille and chain embroidery applications. Amazing effects are possible through the combination of both embroidery modes within one pattern.

- Combined chenille and chain embroidery
- Chenille embroidery with chain embroidery border

Especially the automatic color change for up to six colors, as well as height adjustment for the chenille loops offer great options for your creativity.

The drive including four step motors allows the individual movement of the main operational elements such as needle, presser foot and yarn laying device. For the first time, a speedy and reproducible adjustment of the machine to the different major elements yarn, presser foot and pattern is thereby possible.

The “K”-head, too, can be combined with a standard embroidery head and thus increases the creative options markedly.



MAXIMIZE YOUR POSSIBILITIES

The V series machines combine the special “W” and “K” heads with a standard embroidery head in one machine.

For the first time, chain/chenille, tape/cord or normal embroidery can be mixed in one design.

In this way, creative ideas can now be realised efficiently without having to change the frames of a machine which was often complicated and caused faults.

Thanks to their three embroidery heads, V machines feature large embroidery surfaces whereby even large designs can be created without any difficulties.



“The operation concept ensures the easy and reproducible transfer of the control parameters to the equipment.”

Karl Steinki, Head of Electronics Dept. ZSK



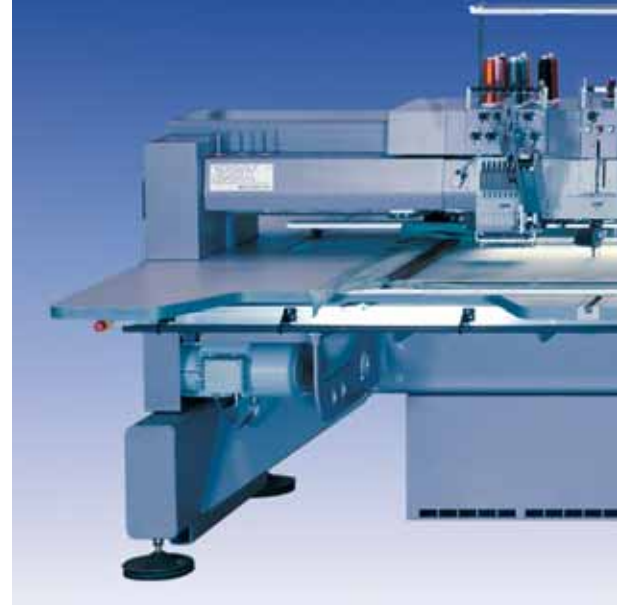
PILOT YOUR MACHINE TO SUCCESS

The special-effect machines by ZSK comprise a central control unit with color dialogue screen and user guide in different major languages supplied as standard equipment. Connected to the internal network, input data is supplied from a central source.

The operation concept ensures the convenient and reproducible adjustment of the machine at the terminal by means of parameters instead of using tools at the machine.



JCK 0100

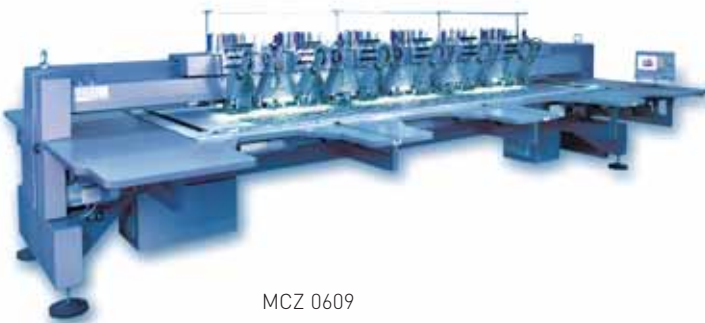


JCZ 0309

TECHNICAL DATA



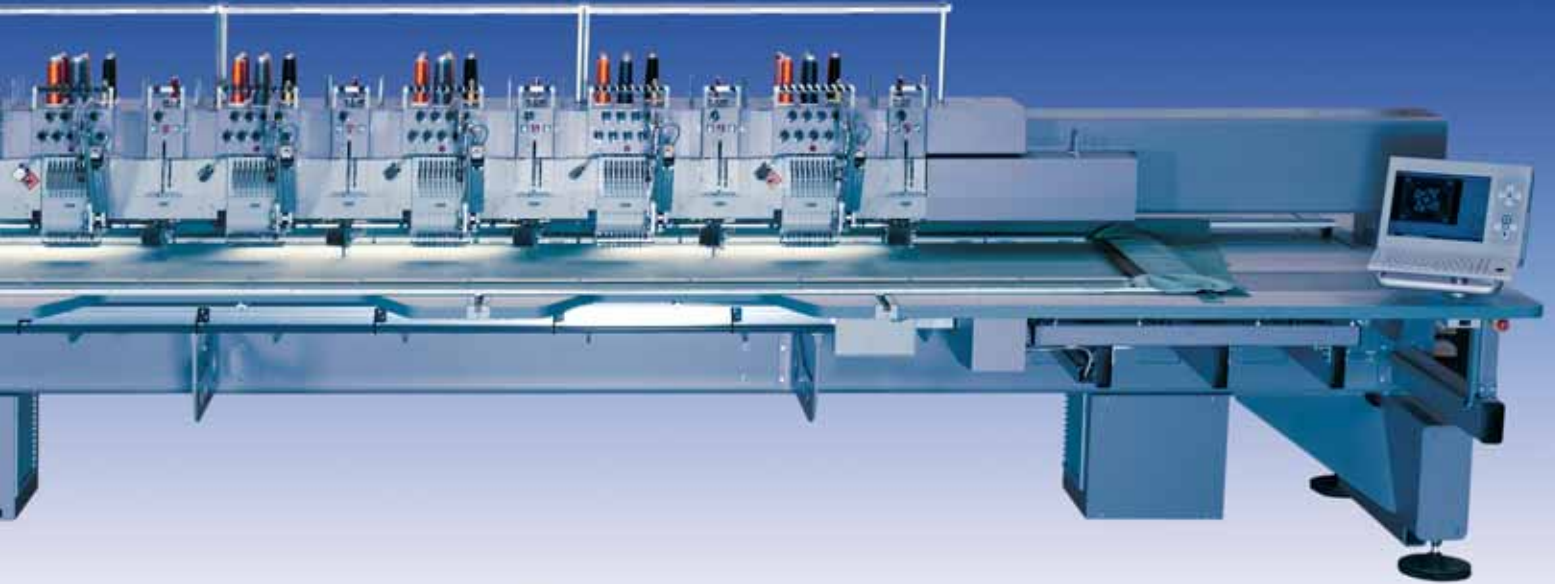
SCZ 0111



MCZ 0609



YCH 0911



Type	Machine				Embroidery field (mm)		Machine length (mm)	Machine depth by embroidery field depth (mm)				
	Model	No. of heads	No. of needles	Total no. of heads	Normal embroidery head	Embroidery field width per head		Border length	500	700	1000	1200
W	JCW 01 00	1	-	-	500	500	1570	1330	1840	-	-	-
	JCW 02 00	2	-	-	495	990	2000	-	1840	-	-	-
	JCW 04 00	4	-	-	495	1980	3440	-	1840	-	-	-
	JCW 06 00	6	-	-	400	2400	3440	-	1840	-	-	-
	XGW 08 00	8	-	-	660 D	5280	7980	-	-	2460	2860	3260
Z	JCZ 01 09	1+1	9	9	550	600	2000	1330	1840	-	-	-
	JCZ 02 09	2+2	9	9	550	1100	2520	1330	1840	-	-	-
	JCZ 03 09	3+3	9	9	550	1650	3440	1330	1840	-	-	-
	SCZ 01 11	1+1	11	11	1000	1000	3820	-	1860	2460	2860	-
	SCZ 02 11	2+2	11	11	660	1320	3820	-	1860	2460	2860	-
	MGZ 06 09	6+6	9	9	550	3300	5780	-	1860	2460	-	-
	XGZ 10 09	10+10	9	9	550	5500	7980	-	1860	2460	2860	-
	YCZ 09 11	9+9	11	11	660	5940	8840	-	1860	2460	2860	-
	YGZ 14 05	14+14	5	5	480	6720	9275	-	-	2460	2860	3260
K	JCK 01 00	1	-	-	500	500	1570	1330	1730	-	-	-
H	JCH 0309	3+3	9	9	550	1650	3340	-	1840	-	-	-
	MGH 06 09	6+6	9	9	550	3300	5780	-	1860	2460	-	-
	XGH 10 09	10+10	9	9	550	5500	7980	-	1860	2460	2860	-
	YCH 09 11	9+9	11	11	660	5940	8840	-	1860	2460	2860	-
	YGH 14 05	14+14	5	5	480	6720	9275	-	-	2460	2860	3260
V	SGV 01 09	1+1+1	9	9	825	825	4100	-	-	2460	-	-
	XHV 06 09	6+6+6	9	9	825	4950	8225	-	1860	2460	2860	-

Your decision to buy a ZSK high-performance embroidery machine is the beginning of a very special partnership. Because before, during and after the purchase, we will support you with the aid of our local distributors in over 100 countries in all relevant and useful services. In this way, we assist you in selecting the machine best suitable for your needs, provide in-depth training in the latest machine and embroidery technique and show you interesting application options. Should it occur that spare parts are needed, we will supply original ZSK spare and wear parts quickly and conveniently.

ZSK STICKMASCHINEN GMBH

Magdeburger Straße 38-40
47800 Krefeld
Germany

Fon +49-(0)2151-444-0
Fax +49-(0)2151-444-170
www.zsk.com

